

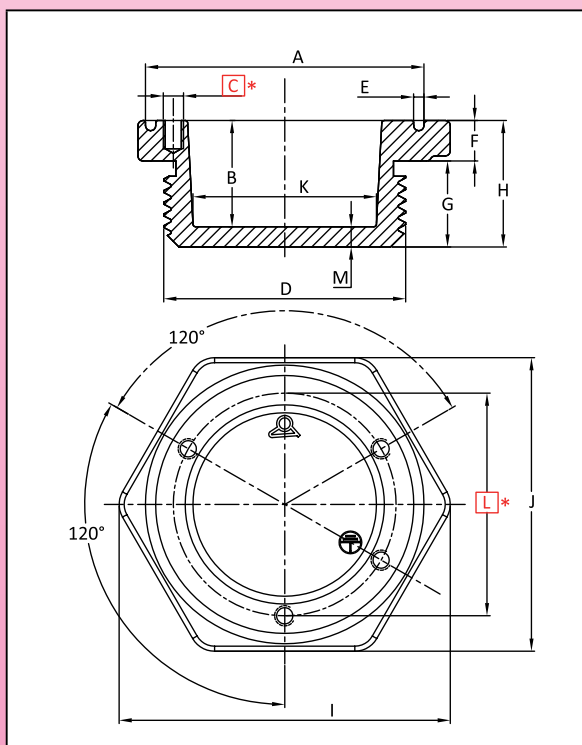


Because of permanent improvement of our products, drawings, descriptions, features used on these data sheets are for guidance only and can be modified without prior advice

Minimum Size	Maximum Size	Material	Type	Model
1 1/4"	M77x2	Brass	3 screws rotation ring	66RE

Compatible accessories	
<input checked="" type="checkbox"/> 66XF	<input checked="" type="checkbox"/> 66JP
<input checked="" type="checkbox"/> 66JE	<input checked="" type="checkbox"/> 66JF
<input checked="" type="checkbox"/> 66NL	<input checked="" type="checkbox"/> 66JR

Compatible enclosures			
<input checked="" type="checkbox"/> Y303	<input checked="" type="checkbox"/> Y3H1	<input checked="" type="checkbox"/> Y310	<input checked="" type="checkbox"/> Y302
<input checked="" type="checkbox"/> Y304	<input checked="" type="checkbox"/> Y3H2	<input checked="" type="checkbox"/> Y3L3	<input checked="" type="checkbox"/> Y3C1
<input checked="" type="checkbox"/> Y305	<input checked="" type="checkbox"/> Y3H3	<input checked="" type="checkbox"/> Y3S3	<input checked="" type="checkbox"/> Y3C3
<input checked="" type="checkbox"/> Y3P1	<input checked="" type="checkbox"/> Y3G1	<input checked="" type="checkbox"/> Y3S5	<input checked="" type="checkbox"/> Y307
<input checked="" type="checkbox"/> Y3P3	<input checked="" type="checkbox"/> Y3G2	<input checked="" type="checkbox"/> Y3N1	<input checked="" type="checkbox"/> Y3K1
<input checked="" type="checkbox"/> Y3P4	<input checked="" type="checkbox"/> Y309	<input checked="" type="checkbox"/> Y3N2	<input checked="" type="checkbox"/> Y3K2
<input checked="" type="checkbox"/> Y3P5	<input checked="" type="checkbox"/> Y3J1	<input checked="" type="checkbox"/> Y3N3	<input checked="" type="checkbox"/> Y3SA
<input checked="" type="checkbox"/> Y3P6	<input checked="" type="checkbox"/> Y3J2	<input checked="" type="checkbox"/> Y3N4	<input checked="" type="checkbox"/> Y3S7
<input checked="" type="checkbox"/> Y3B2	<input checked="" type="checkbox"/> Y306	<input checked="" type="checkbox"/> Y3C4	<input checked="" type="checkbox"/> Y3M1



	1-1/4"	1-1/2"	M45x2	2"	2-1/2"	M77x2
A	Ø55	Ø55	Ø55	Ø65	Ø82	Ø82
B	21	21	21	24	24	24
C	M4(x4)	M4(x4)	M4(x4)	M4(x4)	M5(x4)	M5(x4)
D	1-1/4"	1-1/2"	M45x2	2"	2-1/2"	M77x2
E	2	2	2	2	2	2
F	8	8	8	8	8	8
G	17	17	17	20	20	20
H	25	25	25	28	28	28
I	65.5	65.5	65.5	79.5	102.5	102.5
J	Hex 58	Hex 58	Hex 58	Hex 70	Hex 90	Hex 90
K	Ø35	Ø36	Ø36	Ø50	Ø66	Ø66
L	Ø44	Ø44	Ø44	Ø54	Ø70	Ø70
M	4	4	4	4	4	4

Main references

Dimension	References	Dimension	References
1-1/4"	66REA2T000000000	2"	66REA5T000000000
1-1/2"	66REA3T000000000	2-1/2"	66REA7T000000000
M45x2	66REMDT000000000	M77x2	66REMGT000000000

Red dimensions inside rectangular frames are used for assembly on enclosures or on fittings.